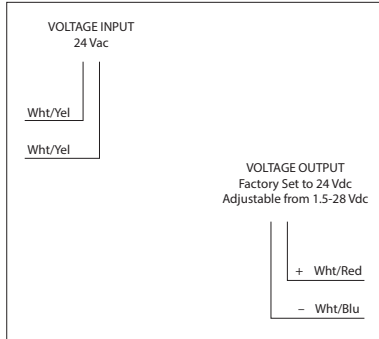


DC POWER SUPPLY: 24 VAC TO 1.5 - 28 VDC

PSP24DA

Enclosed **Non-Isolated** Linear DC Power Supply,
24 Vac to 1.5-28 Vdc Adjustable Output



SPECIFICATIONS

Voltage Input: 24 Vac, full-wave rectified
Voltage Output: 1.5 - 28 Vdc **non-isolated**
Frequency: 50/60 Hz
Overload Protection: Electrical and Thermal, Auto-Reset
Operating Temperature: -30 to 140° F
Humidity Range: 5 to 95% (noncondensing)
Power Status: LED On = Activated
Dimensions: 2.30" x 3.20" x 1.80" with .50" NPT nipple
Wires: 16", 600V Rated
Weight: .30 lbs.
ON/OFF Switch: None
Approvals: Class 2 (UL Approved UL5085-3), UL916, C-UL
Housing Rating: UL Accepted for Use in Plenum, NEMA 1

Output Current Ratings:
 116 mA @ 10 Vdc
 125 mA @ 12 Vdc
 300 mA @ 24 Vdc

Input Current Rating:
 550 mA Maximum

Percent Ripple:
 0.0016%, 24 Vdc @ 300 mA

Regulation:
 Load: 0.04% No Load to Full Load
 Line: 0.0125 V/V

Notes:
 • Requires a separate ungrounded transformer when used in conjunction with 1/2 wave rectified power supplies, grounded 24 Vac transformers, or when 24 Vac and 24 Vdc are connected in common.